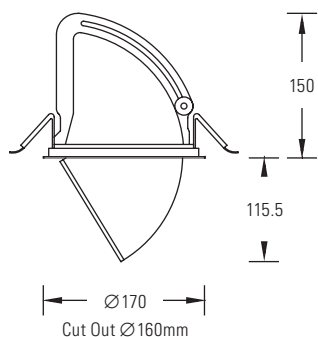




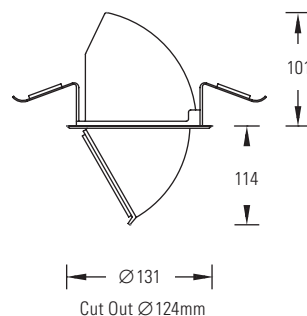
AMBER LED

- Die cast aluminium recessed adjustable display spotlights.
- Available in spot, medium and flood distributions.
- Colour rendering index = 90+.
- Colour temperature – available in 3000K and 4000K versions.
- Electronic drivers.
- Available in white, black or grey.
- Predicted lifetime >50,000 hours.
- Standard ITAB Prolight LED warranty (see page 193).

Amber



Amber Mini



Catalogue No.	Housing	Colour	Distribution	Luminaire Flux (Lumens)	Total System Wattage	Luminaire Lumens / Circuit Watt	Colour Temp	CRI	Weight (Kg)
NOR/282-500-10-3K	Amber	White	Spot	2736	30	91	3000K	90+	1.3
NOR/282-500-20-3K	Amber	Black	Spot	2736	30	91	3000K	90+	1.3
NOR/282-500-30-3K	Amber	Grey	Spot	2736	30	91	3000K	90+	1.3
NOR/282-501-10-3K	Amber	White	Medium	2810	30	94	3000K	90+	1.3
NOR/282-501-20-3K	Amber	Black	Medium	2810	30	94	3000K	90+	1.3
NOR/282-501-30-3K	Amber	Grey	Medium	2810	30	94	3000K	90+	1.3
NOR/282-502-10-3K	Amber	White	Flood	2757	30	92	3000K	90+	1.3
NOR/282-502-20-3K	Amber	Black	Flood	2757	30	92	3000K	90+	1.3
NOR/282-502-30-3K	Amber	Grey	Flood	2757	30	92	3000K	90+	1.3
NOR/296-510-10-3K	Amber Mini	White	Spot	1900	19	100	3000K	90+	0.55
NOR/296-510-20-3K	Amber Mini	Black	Spot	1900	19	100	3000K	90+	0.55
NOR/296-510-30-3K	Amber Mini	Grey	Spot	1900	19	100	3000K	90+	0.55
NOR/296-511-10-3K	Amber Mini	White	Medium	1900	19	100	3000K	90+	0.55
NOR/296-511-20-3K	Amber Mini	Black	Medium	1900	19	100	3000K	90+	0.55
NOR/296-511-30-3K	Amber Mini	Grey	Medium	1900	19	100	3000K	90+	0.55
NOR/296-512-10-3K	Amber Mini	White	Flood	1900	19	100	3000K	90+	0.55
NOR/296-512-20-3K	Amber Mini	Black	Flood	1900	19	100	3000K	90+	0.55
NOR/296-512-30-3K	Amber Mini	Grey	Flood	1900	19	100	3000K	90+	0.55

To specify colour 4000K, replace '3K' in the catalogue number with '4K': e.g. NOR/241-504-10-4K