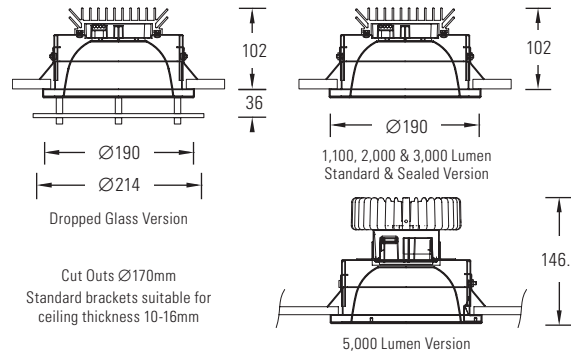


## LDLP LED

A range of LED downlights incorporating LED engines with extruded aluminium passive heat sink. The LDLP offers significant energy and maintenance savings when compared with conventional compact fluorescent downlights.

- Colour rendering index Ra >80 and a predicted lifetime >50,000 hours.
- A wide range of decorative and functional attachments including sealed versions with a sandwich of 2 diffusers for vandal resistant applications.
- Weight = 1.5 Kg (standard version, no attachments).
- Wide distribution reflector design with high space to height ratios for higher uniformity.
- 5000 lumen version supplied with Synjet active cooling solution.
- Standard ITAB Prolight LED warranty (see page 193).



Catalogue No.	LED Flux (Lumens)	Luminaire Flux (Lumens)	LED Wattage	Total System Wattage	Luminaire Lumens / Circuit Watt	Colour Temp	CRI
LDLPW/11/3K/M	1100	960	9.5	10.9	87.9	3000K	>80
LDLPW/11/4K/M	1100	960	8.6	9.9	97.1	4000K	>80
LDLPW/20/3K/M	2000	1740	17.7	20.4	85.5	3000K	>80
LDLPW/20/4K/M	2000	1740	16.0	18.4	94.6	4000K	>80
LDLPW/30/3K/M	3000	2610	26.0	29.9	87.3	3000K	>80
LDLPW/30/4K/M	3000	2610	23.6	27.1	96.2	4000K	>80
LDLPW/50/3K/M	5000	4350	45.7	52.6	82.8	3000K	>80
LDLPW/50/4K/M	5000	4350	41.1	47.3	92.0	4000K	>80

### SPECIFICATION

**Body:** Spun aluminium bezels, remote driver housing.  
**Reflectors:** Matt anodised aluminium. LOR of open reflector downlight = 86%  
**Drivers:** Option of fixed output or DALI. DALI drivers can be wired for DALI control or Switchdim operation via a wall mounted retractable switch.  
 Add suffix **'D'** to specify DALI driver: e.g. LDLPW/20**D**/4K/M  
 Add suffix **'DW'** to specify DALI driver wired for Switchdim operation: e.g. LDLPW/20**DW**/4K/M  
**Colour:** For black bezel, replace **'W'** in the catalogue number with **'B'**: e.g. LDLP**B**/11/3K/M. Other colours available on request.

### Emergency:

3 hour maintained emergency conversions can be specified by adding **'E'** into catalogue no.: e.g. LDLPW/20**E**/4K/M  
 3 hour maintained self test emergency conversions can be specified by adding **'ES'** into catalogue no.: e.g. LDLPW/20**ES**/4K/M  
 1100 lumen ballast lumen factor = 30%  
 2000 lumen ballast lumen factor = 15%  
 3000 lumen ballast lumen factor = 10%  
 5000 lumen ballast lumen factor = 6%  
 Emergency LED charge indicator is located in a remote 35mm diameter (20mm cut out) housing.

### Attachments:

Halo Ring: Add suffix **'HR'**  
 Blue Halo Ring: Add suffix **'BHR'**  
 Vertical Ring: Add suffix **'VR'**  
 Frosted Glass: Add suffix **'FG'**  
 Clear Glass Cover: Add suffix **'GC'**  
 Clear Polycarbonate Cover: Add suffix **'PC'**  
 Opalised Polycarbonate Cover: Add suffix **'OC'**  
 Sealed Bezel with Clear Polycarbonate Lens: Add suffix **'SP'**  
 Sealed Bezel with Opalised Polycarbonate Lens: Add suffix **'SPO'**  
 Sealed Bezel with a Sandwich of Clear Polycarbonate Lenses and Vandal Resistant Screw fixings: Add suffix **'2SPV'**  
 Sealed Bezel with a Sandwich of 1x Clear Polycarbonate Lens and 1x Opalised Polycarbonate Lens with Vandal Resistant Screw fixings: Add suffix **'2SPOV'**