



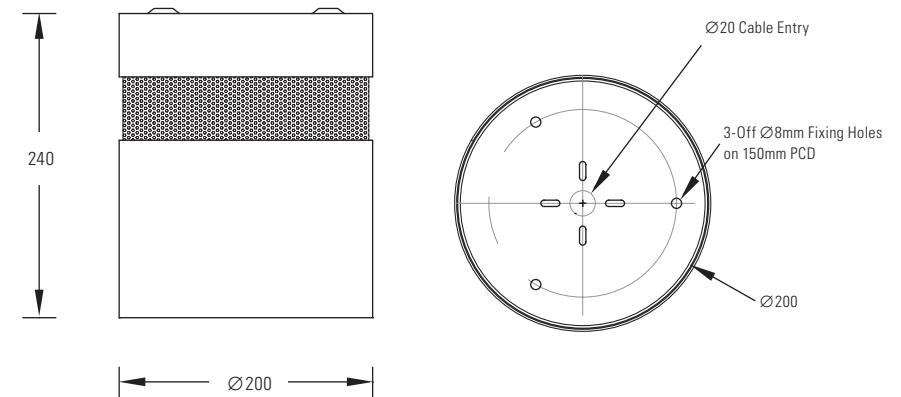
LDLSP

LED

Surface mounted downlight available in white, grey or black finish. Fixed output, DALI or Switchdim control versions available.

- Satin etched reflector.
- Colour rendering index Ra >80.
- Colour temperature – available in 3000K and 4000K versions.
- Photometric data available in Eulumdat format on request or via Relux website.
- No ultra violet or infra red emissions.
- Predicted lifetime >50,000 hours.
- Standard ITAB Prolight LED warranty (see page 193).

Catalogue No.	Colour	LED Flux (Lumens)	Luminaire Flux (Lumens)	LED Wattage	Total System Wattage	Luminaire Lumens / Circuit Watt	Colour Temp	CRI	Weight (Kg)
LDLSPW/11/3K/M	White	960	835	9.5	10.9	76.4	3000K	>80	2
LDLSPW/11/4K/M	White	960	835	8.6	9.9	84.4	4000K	>80	2
LDLSPW/20/3K/M	White	1750	1523	17.7	20.4	74.8	3000K	>80	2
LDLSPW/20/4K/M	White	1750	1523	16.0	18.4	82.7	4000K	>80	2
LDLSPW/30/3K/M	White	2600	2262	26.0	29.9	75.7	3000K	>80	2
LDLSPW/30/4K/M	White	2600	2262	23.6	27.1	83.3	4000K	>80	2
LDLSPW/50/3K/M	White	4350	3785	45.7	52.6	72.0	3000K	>80	2
LDLSPW/50/4K/M	White	4350	3785	41.1	47.3	80.1	4000K	>80	2



To specify grey finish substitute 'W' for 'G' in the catalogue number: e.g. LDLSPG/11/3K/M
 To specify black finish substitute 'W' for 'B' in the catalogue number: e.g. LDLSPB/50/4K/M
Dimmable Drivers: To specify DALI driver add 'D' to catalogue number: e.g. LDLSPW/11D/3K/M
 To specify DALI driver wire for Switchdim operation add 'DW' to catalogue number: e.g. LDLSPW/11DW/3K/M