

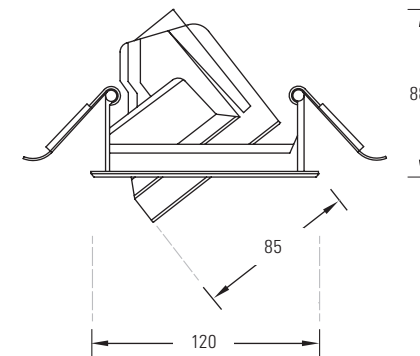
MOON MINI

LED

Adjustable recessed downlight ideal for retail or display applications.

- 45° tilt and 355° rotation allows full adjustability.
- Lamp housing of diecast aluminium for optimal cooling and long lifetime.
- Lumen packages of 1400 and 1900 lumens available.
- Ideal for use in display areas.
- Available with beam angles of spot (18°), medium (31°) and flood (42°).
- Colour temperature – available in 3000K and 4000K versions.
- CRI 80 as standard, CRI 90 available on request.
- Finished white as standard, black and grey available on request.
- Predicted lifetime > 50,000 hours.
- No ultra violet or infra red emissions.
- Photometric data available in Eulumdat format on request or via Relux website.
- Standard ITAB Prolight LED warranty (see page 193).

Cut Out Ø 112
355° Rotation



Catalogue No.	Colour	Beam Angle	Luminaire Flux	Total System Wattage	Luminaire Lumens / Circuit Watt	Colour Temp	CRI
NOR/315-500-10-840	White	Spot (18°)	1400	10	140	4000K	80
NOR/315-501-10-840	White	Medium (31°)	1400	10	140	4000K	80
NOR/315-502-10-840	White	Flood (42°)	1400	10	140	4000K	80
NOR/315-510-10-840	White	Spot (18°)	1900	15	127	4000K	80
NOR/315-511-10-840	White	Medium (31°)	1900	15	127	4000K	80
NOR/315-512-10-840	White	Flood (42°)	1900	15	127	4000K	80

To specify black finish, replace '10' in the catalogue number with '20': e.g. NOR/315-501-20-840

To specify grey finish, replace '10' in the catalogue number with '30': e.g. NOR/315-512-30-840

Colour Temperature: For colour 3000 Kelvin, replace '40' in the catalogue number with '30': e.g. NOR/315-500-10-830

Colour Rendering: For CRI 90, replace '8' in the catalogue number with '9': e.g. NOR/315-502-10-930