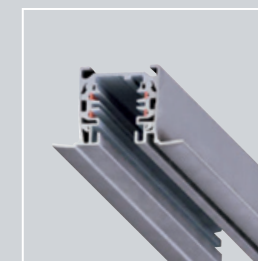




Surface/suspended



Recessed

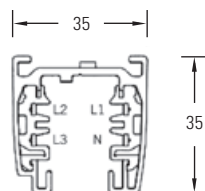
TRACK NL

Perfect for all display and accent lighting applications allowing a wide variety of spotlights or wallwashers to be placed and adjusted exactly where required to provide the ultimate lighting flexibility.

- Standard ITAB Prolight LED warranty (see page 193).

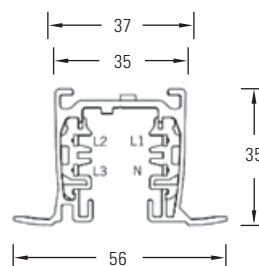
Surface/suspended tracks

Length (mm)	Catalogue No.	Colour
1610	NOR/047-358-10	White
2390	NOR/047-258-10	White
4000	NOR/047-28-10	White



Recessed tracks

Length (mm)	Catalogue No.	Colour
1610	NOR/047-368-10	White
2390	NOR/047-268-10	White
4000	NOR/047-36-10	White

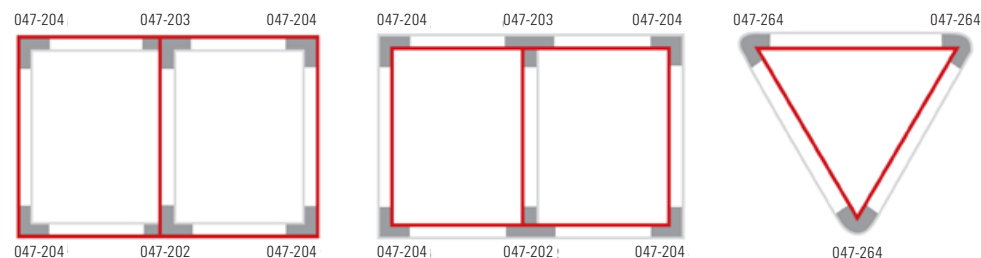


For surface/suspended and recessed track, substitute suffix '10' in the catalogue number as follows: black: 20 grey: 30.
e.g. NOR/047-358-30

SPECIFICATION

- Construction:** Extruded aluminium available in white (RAL9010), black or grey. Supplied in 1.6m, 2.4m or 4m lengths which can be cut to size.
- Fixing:** Knockout holes in track for direct to surface installation. Rod, wire and ceiling grid brackets are available. A wide variety of bends and connectors enable complex shapes to be constructed with ease.
- Rating:** 3 Circuits (L1 + L2 + L3 + neutral +earth). 16A/400V total.
- Polarity:** Continuous polarity must be maintained when planning layouts. There is a polarity mark on the track and each component, which must be matched. See layout drawings below.

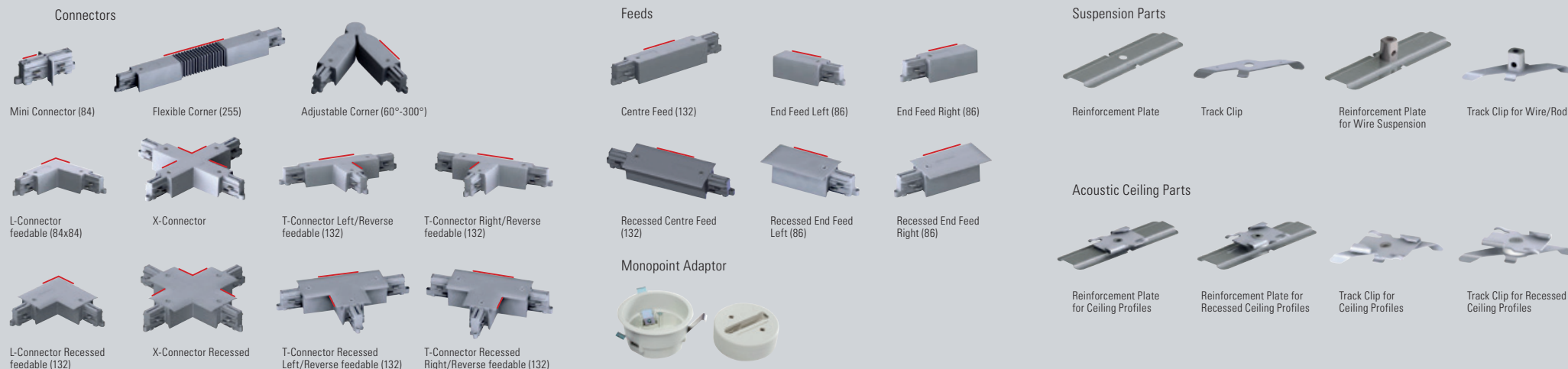
Use of L-, T- and Adjustable Connectors



Ridge on outside

Ridge on inside

Adjustable connectors



Connectors for surface/suspended track

Catalogue No.	Connector Type (mm)	Colour
NOR/047-209-10	Mini-Connector (84)	White
NOR/047-255-10	Flexible Corner (255)	White
NOR/047-264-10	Adjustable Corner (60°-300°)	White
NOR/047-204-10	L-Connector, feedable (84x84)	White
NOR/047-304-10	L-Connector Reverse, feedable (84x84)	White
NOR/047-202-10	T-Connector Left, feedable (132)	White
NOR/047-302-10	T-Connector Left Reverse, feedable (132)	White
NOR/047-203-10	T-Connector Right, feedable (132)	White
NOR/047-303-10	T-Connector Right Reverse, feedable (132)	White
NOR/047-201	X-Connector	White
NOR/047-11-10	End Cap (not shown)	White

Connectors for recessed track

Catalogue No.	Connector Type (mm)	Colour
NOR/047-209-10	Mini-Connector (84)	White
NOR/047-247-10	L-Connector, feedable (84x84)	White
NOR/047-347-10	L-Connector Reverse, feedable (84x84)	White
NOR/047-248-10	T-Connector Left, feedable (132)	White
NOR/047-348-10	T-Connector Left Reverse feedable (132)	White
NOR/047-249-10	T-Connector Right, feedable (132)	White
NOR/047-349-10	T-Connector Right Reverse, feedable (132)	White
NOR/047-250	X-Connector	White
NOR/047-11-10	End Cap (not shown)	White

Feeds for surface/suspended track

Catalogue No.	Feed Type (mm)	Colour
NOR/047-205-10	Centre Feed (132)	White
NOR/047-206-10	End Feed Left (86)	White
NOR/047-207-10	End Feed Right (86)	White

Feeds for recessed track

Catalogue No.	Feed Type (mm)	Colour
NOR/047-251-10	Centre Feed (132)	White
NOR/047-245-10	End Feed Left (86)	White
NOR/047-246-10	End Feed Right (86)	White

Monopoint adaptor

The monopoint is used for installing a track light without a track and is available as a surface mount box, with an adaptor to allow recess mounting. The monopoint can be used in combination with the 3-circuit adaptor.

Catalogue No.	Connector Type (mm)	Colour
NOR/27009	Surface mount monopoint	White
NOR/27010	Surface mount monopoint	Black
NOR/27011	Surface mount monopoint	Grey
NOR/047-320-10	Recessed mount adaptor	White
NOR/047-320-20	Recessed mount adaptor	Black
NOR/047-320-30	Recessed mount adaptor	Grey

Please note, for recess mounting both parts are required.

Suspension parts

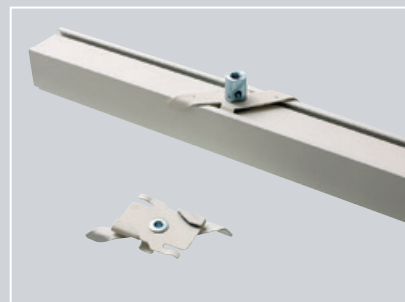
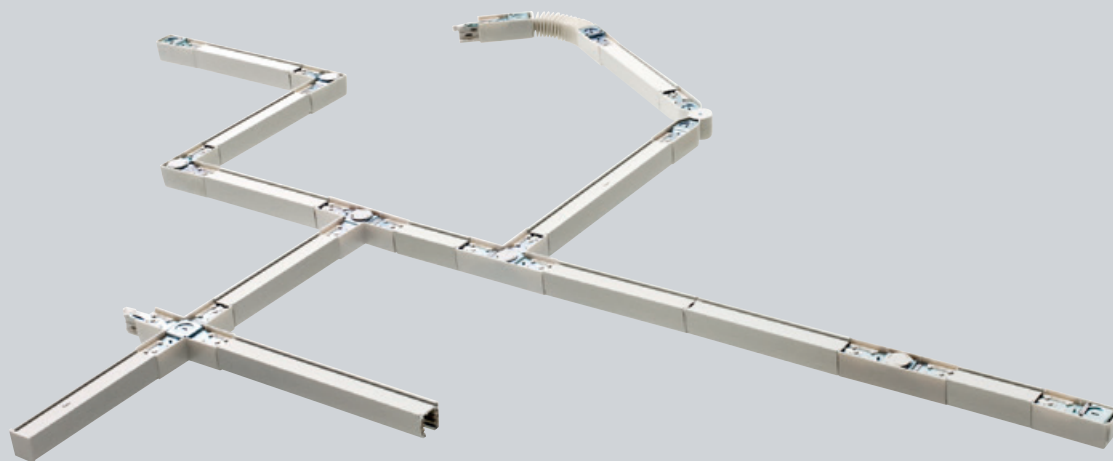
(Track can be either wire or rod suspended)

Catalogue No.	Suspension Type
NOR/047-93	Reinforcement Plate
NOR/047-76	Track Clip
NOR/047-181	Reinforcement Plate for Wire Suspension
NOR/047-180	Track Clip for Wire/Rod
NOR/047-273	4m Wire Suspension Kit

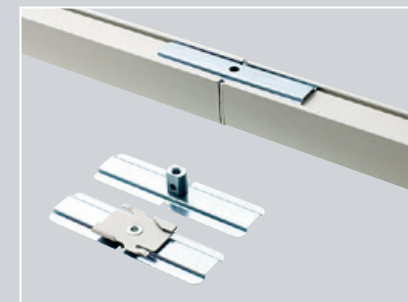
Acoustic ceiling parts

(These parts are used for installing the track system in an architect ceiling)

Catalogue No.	Mounting Type
NOR/047-128	Reinforcement Plate for Ceiling Profiles
NOR/047-121	Reinforcement Plate for Recessed Ceiling Profiles
NOR/047-19	Track Clip for Ceiling Profiles
NOR/047-100	Track Clip for Recessed Ceiling Profiles



Track clips for ceiling grid or wire / rod suspension

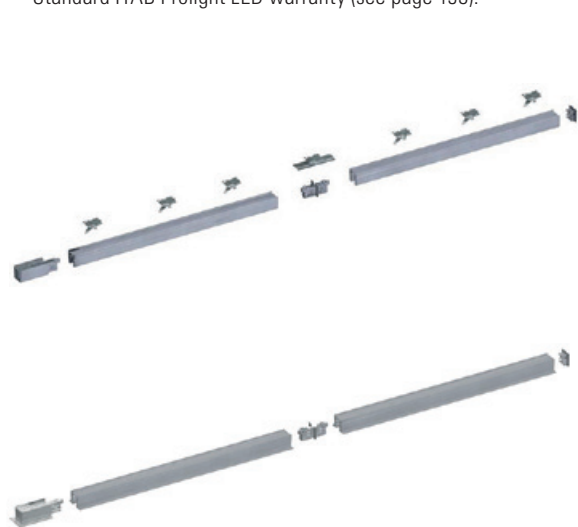


Track joining pieces available plain, with ceiling clip or wire / rod suspension point

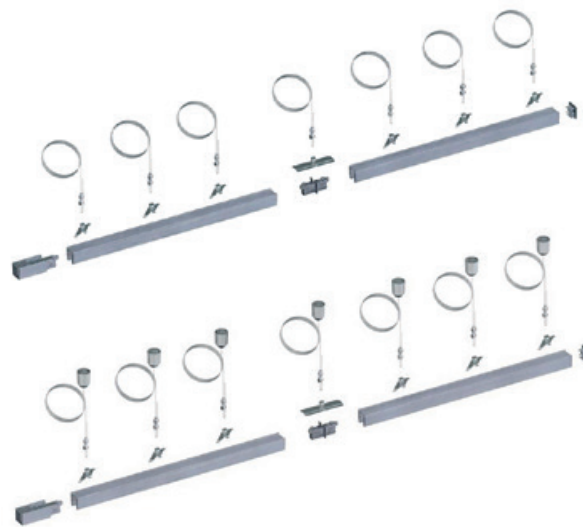
TRACK NL

Recessed and suspended/surface track system with 90°, T-piece, X-piece and adjustable corners available to allow creation of any layout of track for ultimate flexibility.

- Standard ITAB Prolight LED warranty (see page 193).



Example straight run for mounting to ceiling grid



Example straight run for wire suspension

